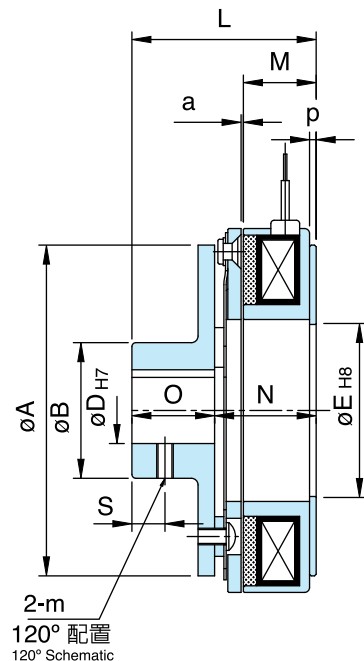
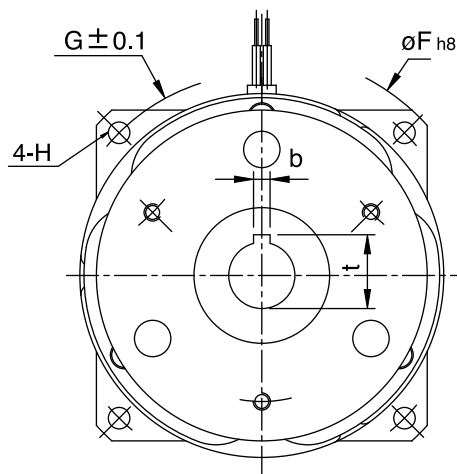


CD-I1 Series

乾式單板超薄型電磁煞車器 Dry Single-plate Magnetic Brake

附導座 with plating hub



型號 MODEL		CD-I1-0.6	CD-I1-1.5	CD-I1-2.5	CD-I1-5	CD-I1-10	CD-I1-20	
靜摩擦轉距 Static Friction Torque [kgm](Nm)		0.55 (5.5)	1.1 (11)	2.2 (22)	4.5 (45)	9.0 (90)	17.5 (175)	
動摩擦轉距 Dynamic Friction Torque [kgm](Nm)		0.5 (5.0)	1.0 (10)	2.0 (20)	4.0 (40)	8.0 (80)	16 (160)	
功率 Power [24V](W) at 20°C		11	15	20	25	35	45	
徑 方 向 Radius	A	70	80	100	125	160	200	
	B	28	31	41	49	65	83	
	D	12	15	20	25	30	40	
	E	35	45	52	65	80	107	
	F	90	110	135	165	210	265	
	G	80	98	122	150	190	240	
	H	4.5	5.5	6.5	6.5	8.5	11	
軸 方 向 Shaft	L	39.3	47.75	54.9	65	78	92.4	
	M	18	20	21	26	27	31	
	N	25.7	27.75	29.9	36.7	40	47.4	
	O	15	20	25	30	38	45	
	P	2	2	2	2.5	3	3.2	
	S	6	8	10	12	14	18	
	m	M3	M4	M5	M6	M8	M10	
	a	0.2 (±0.05)			0.3 (+0.05 / -0.1)		0.5 (0 / -0.2)	
	b	4	5	5	7	7	10	
	t	13.8	17.3	22.3	28.3	33.3	43.8	
重量 Weight (kg)		0.5	0.7	1.3	2.5	4.2	8	
保護素子 Protective band		470KD07	GD80KD10		GD80KD14			